



REGENT EDUCATION & RESEARCH FOUNDATION

GROUP OF INSTITUTES

We prepare you for success

AUTOCAD TUTORIAL AND 2D FUNDAMENTALS WITH COMMANDS & PRACTICE EXERCISES

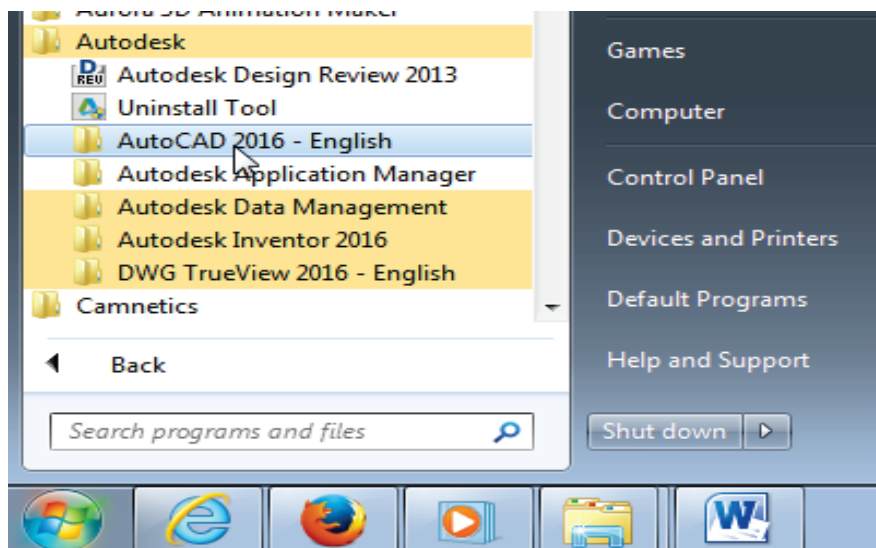
Introduction

Learning to use a CAD system is similar to learning a new language. It is necessary to begin with the basic alphabet and learn how to use it correctly and effectively through practice. This will require learning some new concepts and skills as well as learning a different vocabulary. Today, the majority of the Mechanical CAD systems are capable of creating three-dimensional solid models. Nonetheless, all CAD systems create designs using basic geometric entities and many of the constructions used in technical designs are based upon two-dimensional planar geometry. The method and number of operations that are required to accomplish the basic planar constructions are different from one system to another.

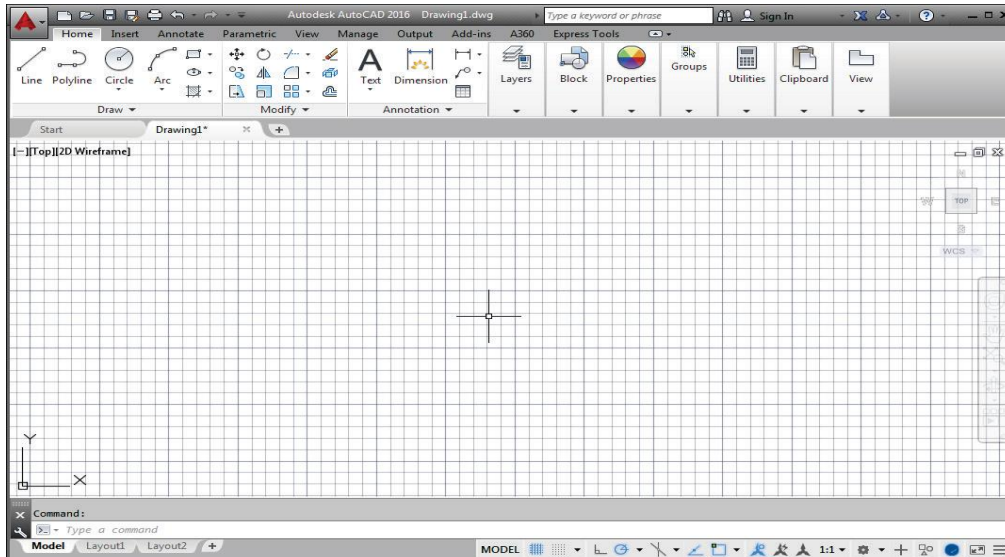
In order to become effective and efficient in using a CAD system, we must learn to create geometric entities quickly and accurately. In learning to use a CAD system, **lines** and **circles** are the first two, and perhaps the most important two, geometric entities that one should master the skills of creating and modifying. Straight lines and circles are used in almost all technical designs. In examining the different types of planar geometric entities, the importance of lines and circles becomes obvious. Triangles and polygons are planar figures bounded by straight lines. Ellipses and splines can be constructed by connecting arcs with different radii. As one gains some experience in creating lines and circles, similar procedures can be applied to create other geometric entities. In this chapter, the different ways of creating lines and circles in **AutoCAD** are examined.

Starting Up AutoCAD

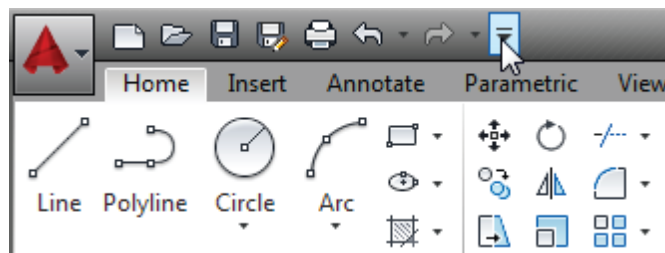
1. Select the **AutoCAD** option on the *Program* menu or select the **AutoCAD** icon on the *Desktop*. Click **Start Drawing** to start a new drawing.



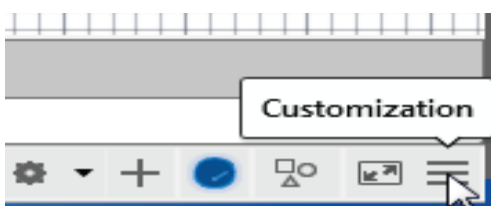
Once the program is loaded into memory, the **AutoCAD** main drawing screen will appear on the screen. Note that AutoCAD automatically assigns generic names, *Drawing X*, as new drawings are created. In our example, AutoCAD opened the graphics window using the default system units and assigned the drawing name *Drawing1*.



2. If necessary, click on the down-arrow in the *Quick Access* bar and select **Show Menu Bar** to display the **AutoCAD Menu Bar**. The *Menu Bar* provides access to all AutoCAD commands.



3. To switch on the **AutoCAD Coordinates Display**, use the *Customization* option at the bottom right corner.



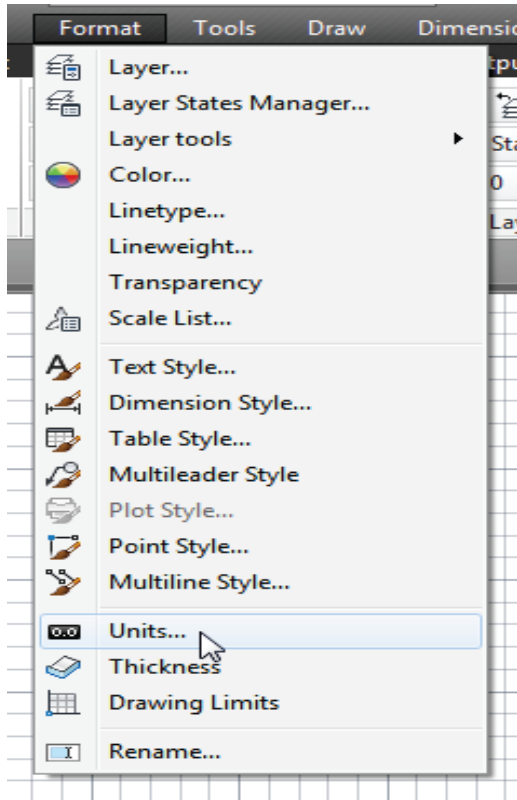
Drawing Units Setup

Every object we construct in a CAD system is measured in **units**. We should determine the system of units within the CAD system before creating the first geometric entities.

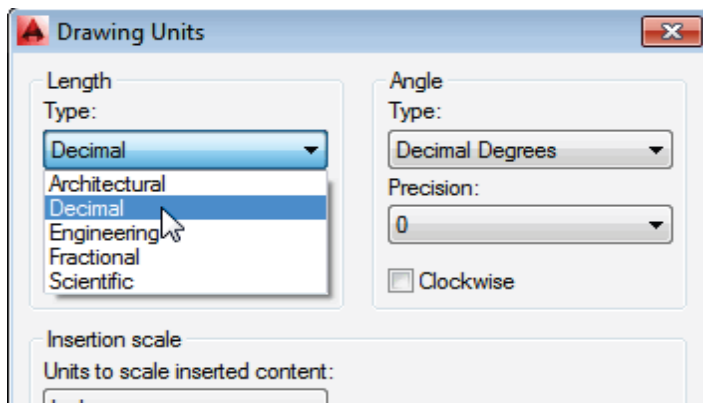
1. In the *Menu Bar* select:

[Format] > **[Units]**

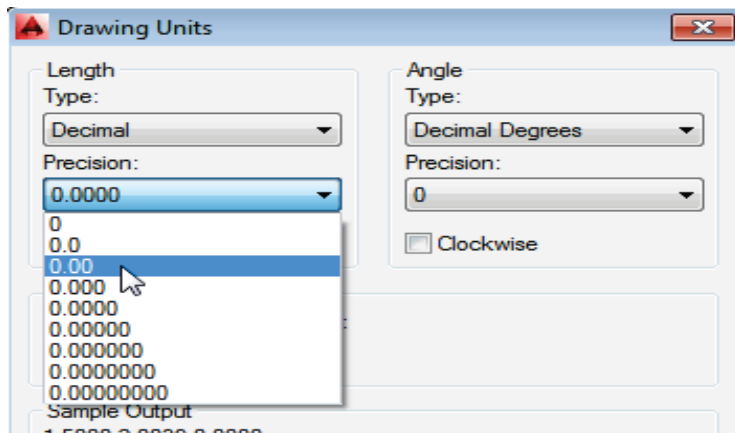
The AutoCAD *Menu Bar* contains multiple pull-down menus where all of the AutoCAD commands can be accessed. Note that many of the menu items listed in the pull-down menus can also be accessed through the *Quick Access* toolbar and/or *Ribbon* panels.



2. Click on the *Length Type* option to display the different types of length units available. Confirm the *Length Type* is set to **Decimal**.



3. On your own, examine the other settings that are available.
4. In the *Drawing Units* dialog box, set the *Length Type* to **Decimal**. This will set the measurement to the default *English* units, inches.
5. Set the *Precision* to **two digits** after the decimal point as shown in the above figure.
6. Pick **OK** to exit the *Drawing Units* dialog box.



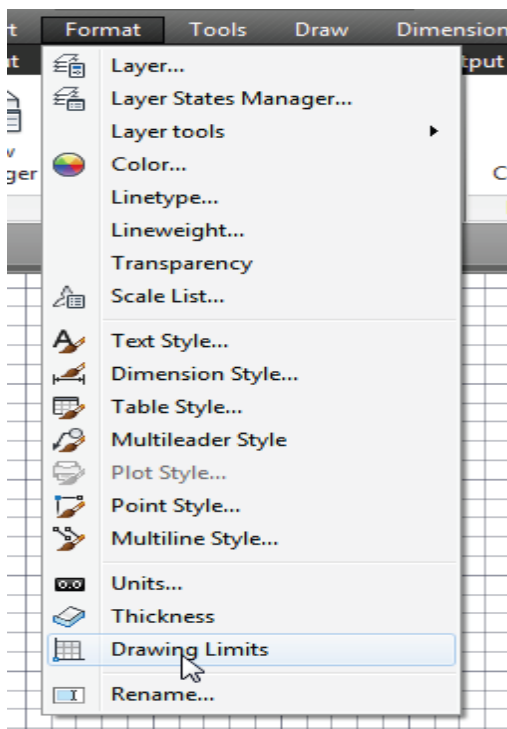
Drawing Area Setup

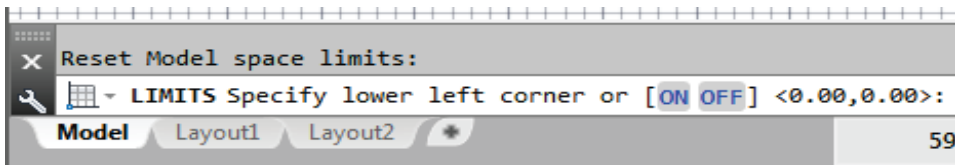
Next, we will set up the **Drawing Limits** by entering a command in the command prompt area. Setting the Drawing Limits controls the extents of the display of the *grid*. It also serves as a visual reference that marks the working area. It can also be used to prevent construction outside the grid limits and as a plot option that defines an area to be plotted/printed. Note that this setting does not limit the region for geometry construction.

1. In the *Menu Bar* select:

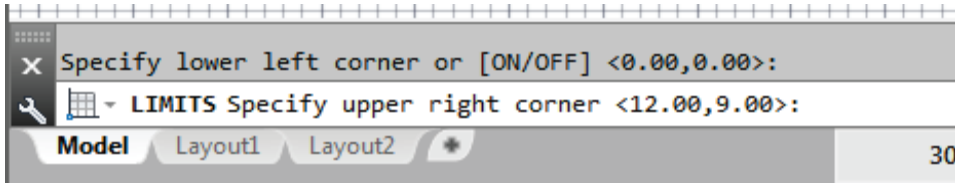
[Format] □ **[Drawing Limits]**

2. In the command prompt area, the message “*Reset Model Space Limits: Specify lower left corner or [On/Off] <0.00,0.00>:*” is displayed. Press the **ENTER** key once to accept the default coordinates **<0.00,0.00>**.

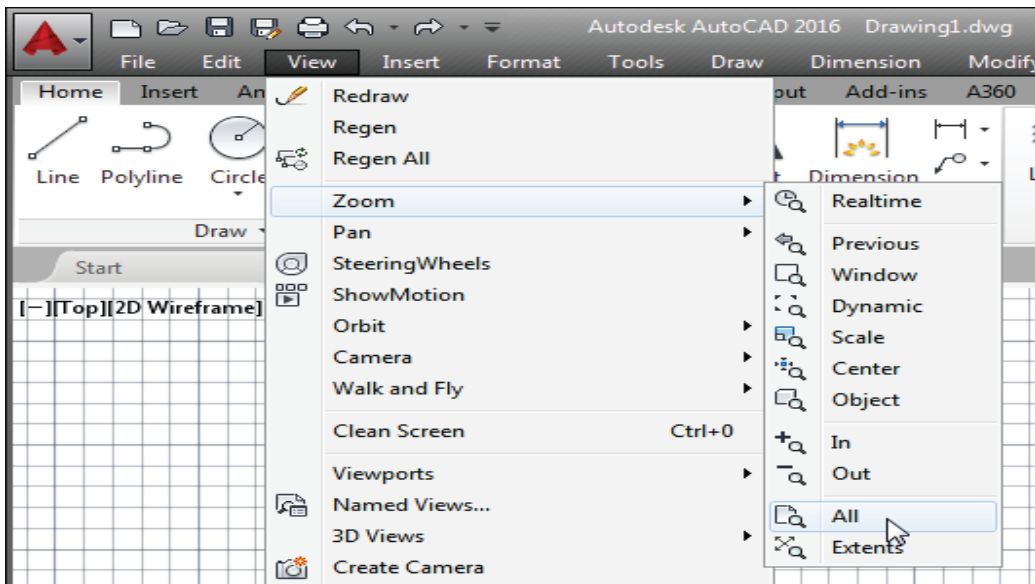




3. In the command prompt area, the message “*Specify upper right corner <12.00,9.00>:*” is displayed. Press the **ENTER** key again to accept the default coordinates **<12.00,9.00>**.



4. On your own, move the graphics cursor near the upper-right corner inside the drawing area and note that the drawing area is unchanged. (The Drawing Limits command is used to set the drawing area, but the display will not be adjusted until a display command is used.)



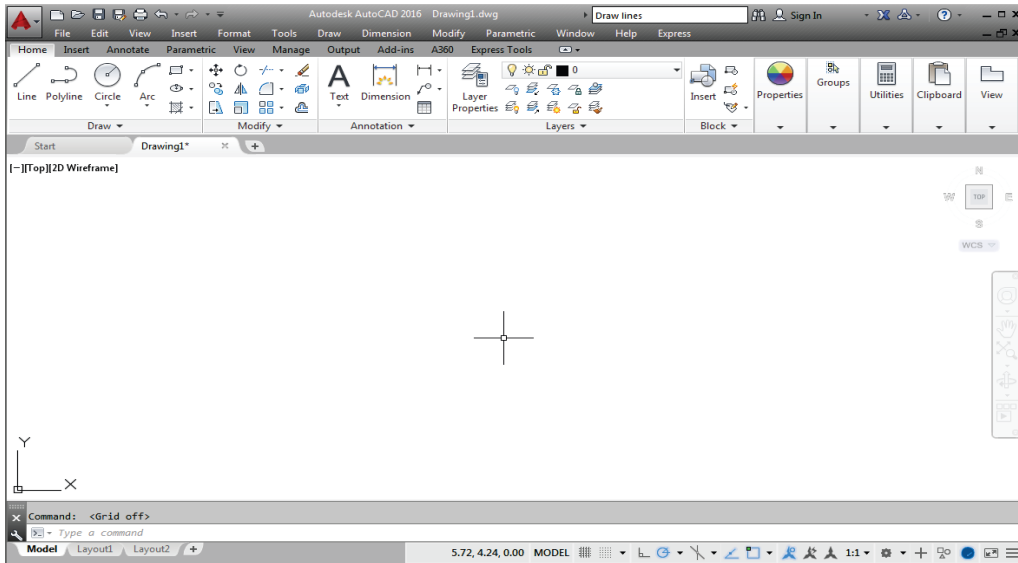
5. Inside the *Menu Bar* area select:

[View] **[Zoom]** **[All]**

The **Zoom All** command will adjust the display so that all objects in the drawing are displayed to be as large as possible. If no objects are constructed, the Drawing Limits are used to adjust the current viewport.

6. Move the graphics cursor near the upper-right corner inside the drawing area and note that the display area is updated.

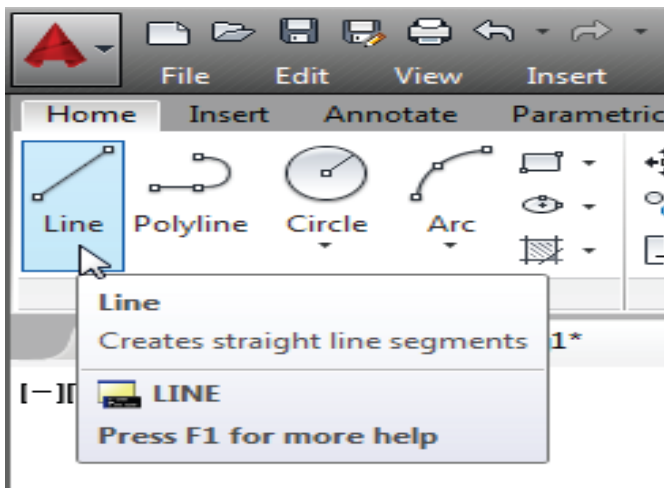
7. Hit the function key **[F7]** once to turn **off** the display of the *Grid* lines.



Note that function key [F7] is a quick key, which can be used to quickly toggle on/off the grid display. Also, note the *command prompt area* can be positioned to dock below the drawing area or float inside the drawing area as shown.

Drawing Lines with the *LINE* Command

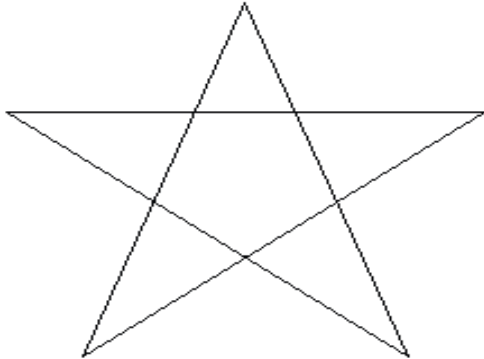
1. Move the graphics cursor to the first icon in the Draw panel. This icon is the Line icon. Note that a brief description of the Line command appears next to the cursor.



2. Select the icon by clicking once with the left mouse- button, which will activate the Line command.

3. In the command prompt area, near the bottom of the AutoCAD drawing screen, the message “_line Specify first point:” is displayed. AutoCAD expects us to identify the starting location of a straight line. Move the graphics cursor inside the graphics window and watch the display of the coordinates of the graphics cursor at the bottom of the AutoCAD drawing screen. The three numbers represent the location of the cursor in the X, Y, and Z directions. We can treat the graphics window as if it was a piece of paper and we are using the graphics cursor as if it were a pencil with which to draw.

We will create a freehand sketch of a five point star using the Line command. Do not be overly concerned with the actual size or accuracy of your freehand sketch. This exercise is to give you a feel for the **AutoCAD** user interface.



4. We will start at a location about one-third from the bottom of the graphics window. Left click once to position the starting point of our first line. This will be *point 1* of our sketch. Next, move the cursor upward and toward the right side of *point*
5. Move the cursor to the left of *point 2* and create a horizontal line about the same length as the first line on the screen.
6. Repeat the above steps and complete the freehand sketch by adding three more lines (from *point 3* to *point 4*, *point 4* to *point 5*, and then connect to *point 5* back to *point 1*).
7. Notice that the Line command remains activated even after we connected the last segment of the line to the starting point (*point 1*) of our sketch. Inside the graphics window, **click once** with the **right-mouse-button** and a popup menu appears on the screen.
8. Select **Enter** with the left-mouse-button to end the Line command. (This is equivalent to hitting the [ENTER] key on the keyboard.)
9. Move the cursor near *point 2* and *point 3*, and estimate the length of the horizontal line by watching the displayed coordinates for each point.

Visual Reference

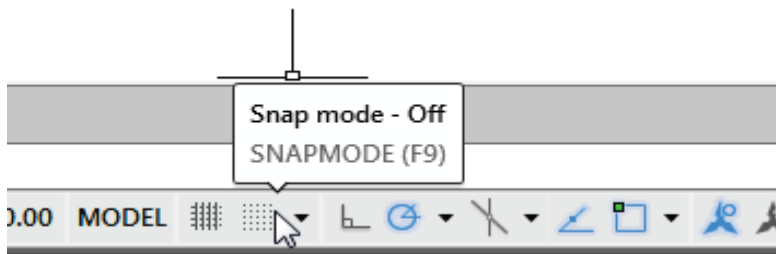
The method we just used to create the freehand sketch is known as the **interactive method**, where we use the cursor to specify locations on the screen. This method is perhaps the fastest way to specify locations on the screen. However, it is rather difficult to try to create a line of a specific length by watching the displayed coordinates. It would be helpful to know what one inch or one meter looks like on the screen while we are creating entities. **AutoCAD** provides us with many tools to aid the construction of our designs. For example, the **GRID** and **SNAP MODE** options can be used to get a visual reference as to the size of objects and learn to restrict the movement of the cursor to a set increment on the screen.

The **GRID** and **SNAP MODE** options can be turned *ON* or *OFF* through the *Status Bar*. The *Status Bar* area is located at the bottom left of the AutoCAD drawing screen, next to the

cursor coordinates. The second button in the *Status Bar* is the *SNAP MODE* option and the third button is the *GRID DISPLAY* option. Note that the buttons in the *Status Bar* area serve two functions:

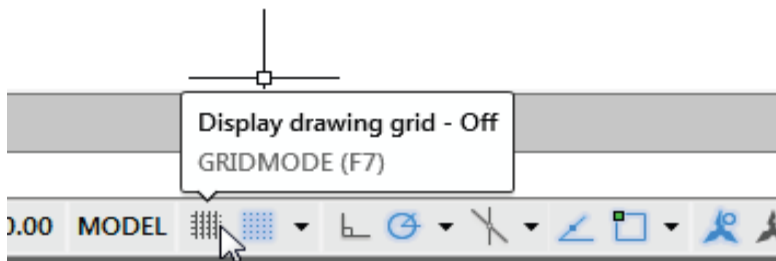


(1) the status of the specific option, and (2) as toggle switches that can be used to turn these special options *ON* and *OFF*. When the corresponding button is *highlighted*, the specific option is turned *ON*. Using the buttons is a quick and easy way to make changes to these *drawing aid* options. The buttons in the *Status Bar* can also be switched on and off in the middle of another command.

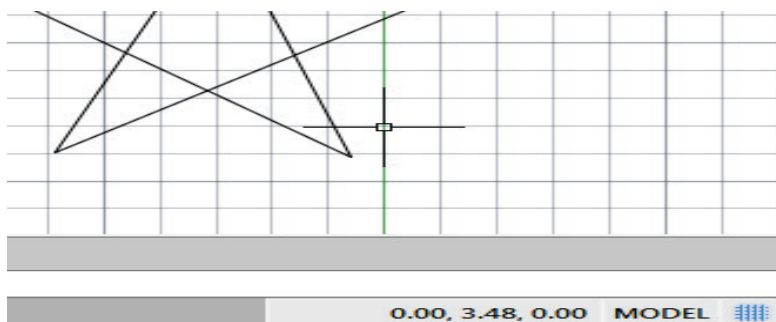


GRID ON

1. Left-click the **GRID** button in the *Status Bar* to turn **ON** the *GRID DISPLAY* option. (Notice in the command prompt area, the message “<Grid on>” is also displayed.)



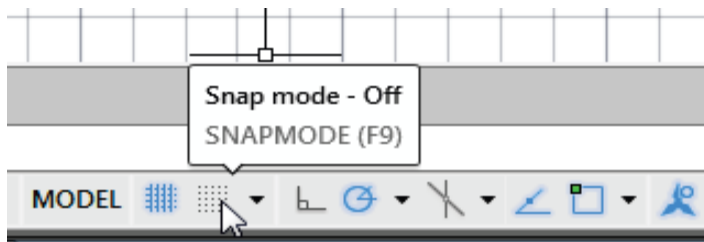
2. Move the cursor inside the graphics window, and estimate the distance in between the grid lines by watching the coordinates displayed at the bottom of the screen.



The *GRID* option creates a pattern of lines that extends over an area on the screen. Using the grid is similar to placing a sheet of grid paper under a drawing. The grid helps you align objects and visualize the distance between them. The grid is not displayed in the plotted drawing. The default grid spacing, which means the distance in between two lines on the screen, is 0.5 inches. We can see that the sketched horizontal line in the sketch is about 4 inches long.

SNAP MODE ON

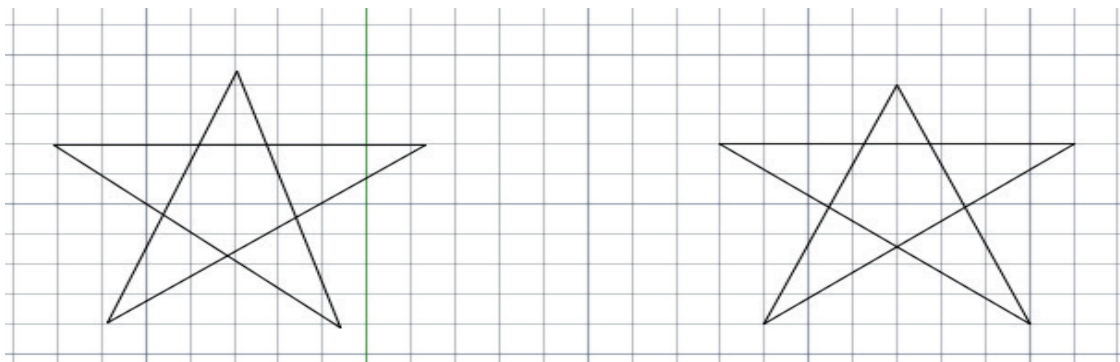
1. Left-click the *SNAP MODE* button in the *Status Bar* to turn *ON* the *SNAP* option.



2. Move the cursor inside the graphics window, and move the cursor diagonally on the screen. Observe the movement of the cursor and watch the *coordinates display* at the bottom of the screen.

The *SNAP* option controls an invisible rectangular grid that restricts cursor movement to specified intervals. When *SNAP* mode is on, the screen cursor and all input coordinates are snapped to the nearest point on the grid. The default snap interval is 0.5 inches and aligned to the grid points on the screen.

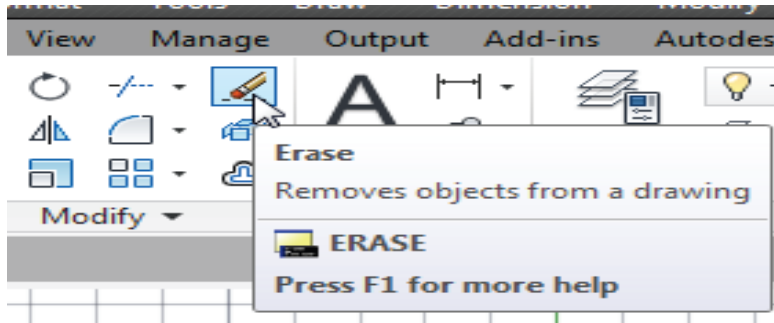
3. Click on the **Line** icon in the *Draw* toolbar. In the command prompt area, the message “*_line Specify first point:*” is displayed.



4. On your own, create another sketch of the five-point star with the *GRID* and *SNAP* options switched *ON*.
5. Use the **right-mouse-button** and select **Enter** in the popup menu to end the Line command if you have not done so.

Using the *ERASE* Command

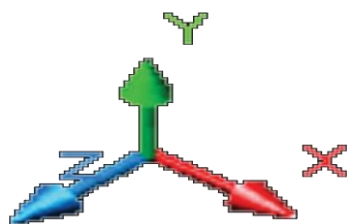
One of the advantages of using a CAD system is the ability to remove entities without leaving any marks. We will erase two of the lines using the Erase command.



1. Pick **Erase** in the *Modify* toolbar. (The icon is a picture of an eraser at the end of a pencil.) The message “*Select objects*” is displayed in the command prompt area and AutoCAD awaits us to select the objects to erase.
2. Left-click the **SNAP MODE** button on the *Status Bar* to turn **OFF** the **SNAP MODE** option so that we can more easily move the cursor on top of objects. We can toggle the *Status Bar* options **ON** or **OFF** in the middle of another command.
3. Select any two lines on the screen; the selected lines are highlighted as shown in the figure below. To **deselect** an object from the selection set, hold down the [**SHIFT**] key and select the object again.
4. **Right-mouse-click** once to accept the selections. The selected two lines are erased.

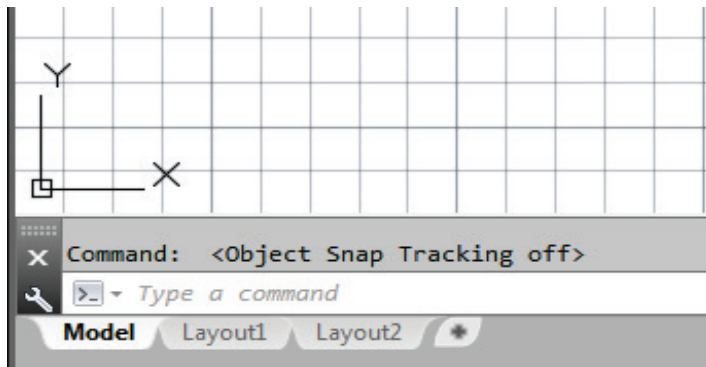
The CAD Database and the User Coordinate System

Designs and drawings created in a CAD system are usually defined and stored using sets of points in what is called **world space**. In most CAD systems, the world space is defined using a three-dimensional *Cartesian coordinate system*. Three mutually perpendicular axes, usually referred to as the X-, Y-, and Z-axes, define this system. The intersection of the three coordinate axes forms a point called the **origin**. Any point in world space can then be defined as the distance from the origin in the X-, Y- and Z directions. In most CAD systems, the directions of the arrows shown on the axes identify the positive sides of the coordinates.



A CAD file, which is the electronic version of the design, contains data that describes the entities created in the CAD system. Information such as the coordinate values in world space for all endpoints, center points, etc. along with the descriptions of the types of entities are all

stored in the file. Knowing that AutoCAD stores designs by keeping coordinate data helps us understand the inputs required to create entities.

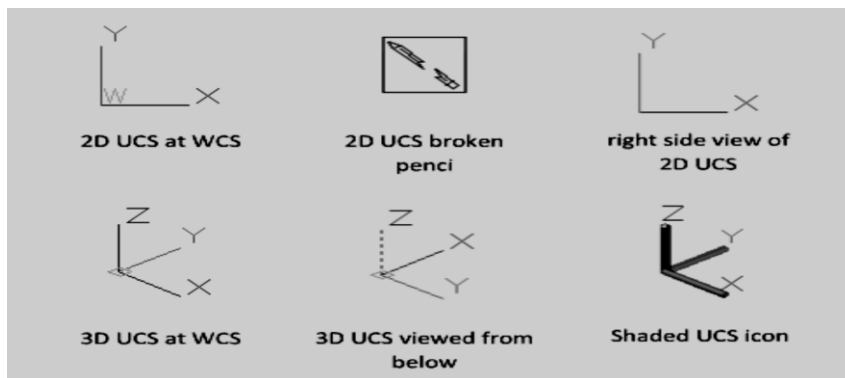


The icon near the bottom left corner of the default AutoCAD graphics window shows the positive X-direction and positive Y-direction of the coordinate system that is active. In AutoCAD, the coordinate system that is used to create entities is called the **user coordinate system (UCS)**. By default, the **user coordinate system** is aligned to the **world coordinate system (WCS)**. The **world coordinate system** is a coordinate system used by AutoCAD as the basis for defining all objects and other coordinate systems defined by the users. We can think of the **origin** of the **world coordinate system** as a fixed point being used as a reference for all measurements. The default orientation of the Z-axis can be considered as positive values in front of the monitor and negative values inside the monitor.

Changing to the 2D UCS Icon Display

In **AutoCAD 2016**, the **UCS** icon is displayed in various ways to help us visualize the orientation of the drawing plane.

1. Click on the **View** pull-down menu and select **[Display]** **[UCS Icon]** **[Properties...]**
2. In the **UCS icon style** section, switch to the **2D** option as shown.



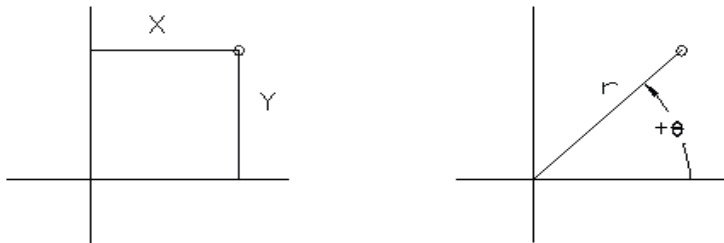
3. Click **OK** to accept the settings. Note the **W** symbol in the UCS icon indicates that the UCS is aligned to the world coordinate system.

Cartesian and Polar Coordinate Systems

In a two-dimensional space, a point can be represented using different coordinate systems. The point can be located, using a *Cartesian coordinate system*, as X and Y units away from the origin. The same point can also be located using the *polar coordinate system*, as r and θ units away from the origin. For planar geometry, the polar coordinate system is very useful for certain applications. In the polar coordinate system, points are defined in terms of a radial distance, r, from the origin and an angle θ between the direction of r and the positive X axis. The default system for measuring angles in **AutoCAD 2016** defines positive angular values as counter-clockwise from the positive X-axis.

Absolute and Relative Coordinates

AutoCAD also allows us to use *absolute* and *relative coordinates* to quickly construct objects. **Absolute coordinate values** are measured from the current coordinate system's origin point. **Relative coordinate values** are specified in relation to previous coordinates.



Note that the *coordinate display area* can also be used as a toggle switch; each left mouse-click will toggle the coordinate display *on* or *off*. In **AutoCAD**, the *absolute* coordinates and the *relative* coordinates can be used in conjunction with the *Cartesian* and *polar* coordinate systems. By default, AutoCAD expects us to enter values in *absolute Cartesian coordinates*, distances measured from the current coordinate system's origin point. We can switch to using the *relative coordinates* by using the @ symbol. The @ symbol is used as the *relative coordinates specifier*, which means that we can specify the position of a point in relation to the previous point.

Defining Positions

In AutoCAD, there are five methods for specifying the locations of points when we create planar geometric entities.

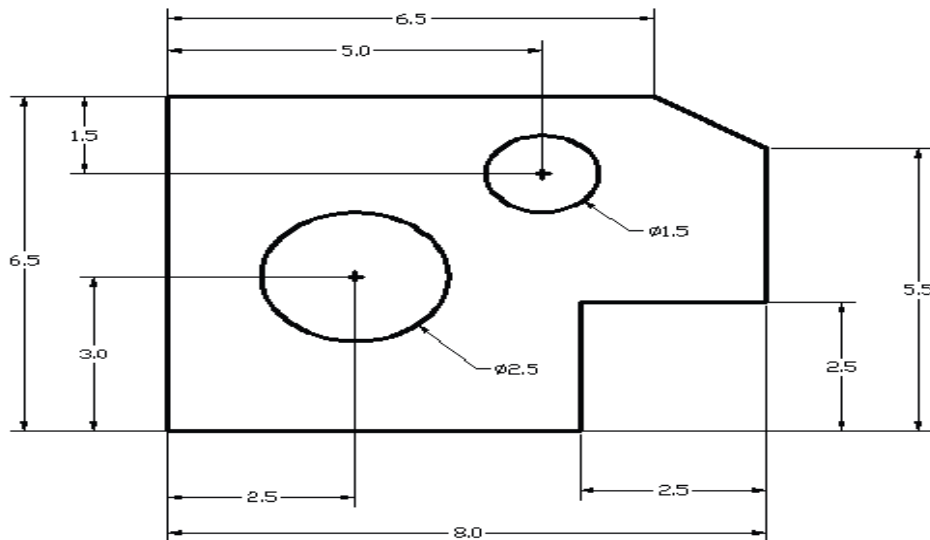
- **Interactive method:** Use the cursor to select on the screen.
- **Absolute coordinates (Format: X,Y):** Type the X and Y coordinates to locate the point on the current coordinate system relative to the origin.
- **Relative rectangular coordinates (Format: @X,Y):** Type the X and Y coordinates relative to the last point.
- **Relative polar coordinates (Format: @Distance<angle):** Type a distance and angle relative to the last point.
- **Direct Distance entry technique:** Specify a second point by first moving the cursor to indicate direction and then entering a distance.

GRID Style Setup

1. In the *Status Bar* area, **right-mouse-click** on *SnapMode* and choose [**Snap settings**].
2. In the *Drafting Settings* dialog box, select the **Snap and Grid** tab if it is not the page on top.
3. Change *Grid Style* to **Display dotted grid in 2D model Space** as shown in the below figure.
4. Pick **OK** to exit the *Drafting Settings* dialog box.

The Guide Plate

We will next create a mechanical design using the different coordinate entry methods. The rule for creating CAD designs and drawings is that they should be created at **full size** using real-world units. The CAD database contains all the definitions of the geometric entities and the design is considered as a virtual, full-sized object. Only when a printer or plotter transfers the CAD design to paper is the design scaled to fit on a sheet. The tedious task of determining a scale factor so that the design will fit on a sheet of paper is taken care of by the CAD system. This allows the designers and CAD operators to concentrate their attention on the more important issues – the design.



1. Select the **Line** command icon in the *Draw* toolbar. In the command prompt area, near the bottom of the AutoCAD graphics window, the message “*_line Specify first point:*” is displayed. AutoCAD expects us to identify the starting location of a straight line.
2. We will locate the starting point of our design at the origin of the *world coordinate system*.
Command: *_line Specify first point:* **0,0** (Type **0,0** and press the [ENTER] key once.)
3. We will create a horizontal line by entering the absolute coordinates of the second point.
Specify next point or [Undo]: **5.5,0** [ENTER]

Note that the line we created is aligned to the bottom edge of the drawing window. Let us adjust the view of the line by using the Pan Real time command.

4. In the *Menu Bar* area select: **[View]** □ **[Pan]** □ **[Realtime]**

The available **Pan** commands enable us to move the view to a different position. The *Pan-Realtime* function acts as if you are using a video camera.

5. Move the cursor, which appears as a hand inside the graphics window, near the center of the drawing window, then push down the **left-mouse-button** and drag the display toward the right and top side until we can see the sketched line. (Notice the scroll bars can also be used to adjust viewing of the display.)

6. Press the **[Esc]** key to exit the *Pan-Realtime* command. Notice that AutoCAD goes back to the Line command.

7. We will create a vertical line by using the *relative rectangular coordinates entry method*, relative to the last point we specified:

Specify next point or [Close/Undo]: @0,2.5 **[ENTER]**

8. We can mix any of the entry methods in positioning the locations of the end points. Move the cursor to the *Status Bar* area, and turn **ON** the *SNAP MODE* option. Note that the Line command is resumed as the settings are adjusted.

9. Left-click once on the coordinates displays area to switch to a different coordinate display option. Note the coordinates display area has changed to show the length of the new line and its angle. Each click will change the display format of the cursor coordinates

10. On your own, left-click on the coordinates display area to observe the switching of the coordinate display; set the display back to using the world coordinate system.

11. Create the next line by picking the location, world coordinates (8,2.5), on the screen.

12. We will next use the *relative polar coordinates entry method*, relative to the last point we specified:

Specify next point or [Close/Undo]: @3<90 **[ENTER]**

(Distance is 3 inches with an angle of 90 degrees.)

13. Using the *relative rectangular coordinates entry method* to create the next line, we can imagine a *reference coordinate system* aligned at the previous point. Coordinates are measured along the two reference axes.

Specify next point or [Close/Undo]:

@-1.5,1 **[ENTER]** (-1.5 and 1 inches are measured relative to the reference point.)

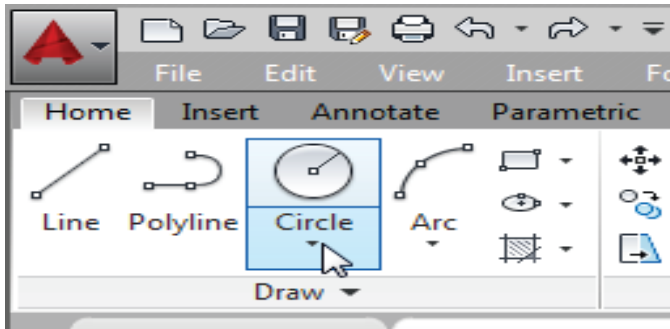
14. Move the cursor directly to the left of the last point and use the *direct distance entry technique* by entering 6.5 **[ENTER]**.

15. For the last segment of the sketch, we can use the **Close** option to connect back to the starting point. Inside the graphics window, **right-mouse-click** and a *popup menu* appears on the screen.

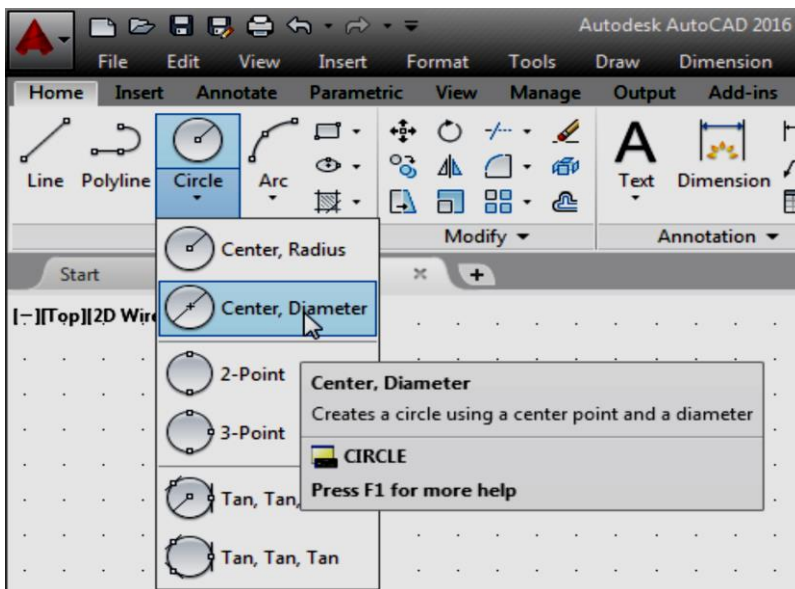
16. Select **Close** with the left-mouse-button to connect back to the starting point and end the Line command.

Creating *Circles*

The menus and toolbars in **AutoCAD 2016** are designed to allow the CAD operator to quickly activate the desired commands.



1. In the *Draw* toolbar, click on the little triangle below the circle icon. Note that the little triangle indicates additional options are available.



2. In the option list, select: [**Center, Diameter**]

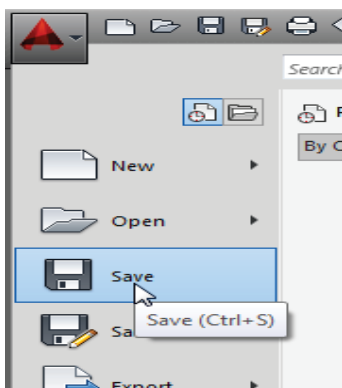
Notice the different options available under the circle submenu:

- **Center, Radius:** Draws a circle based on a center point and a radius.
- **Center, Diameter:** Draws a circle based on a center point and a diameter.
- **2 Points:** Draws a circle based on two endpoints of the diameter.
- **3 Points:** Draws a circle based on three points on the circumference.
- **TTR–Tangent, Tangent, Radius:** Draws a circle with a specified radius tangent to two objects.
- **TTT–Tangent, Tangent, Tangent:** Draws a circle tangent to three objects.

3. In the command prompt area, the message “*Specify center point for circle or [3P/2P/Ttr (tan tan radius)]:*” is displayed. AutoCAD expects us to identify the location of a point or enter an option. We can use any of the four coordinate entry methods to identify the desired location. We will enter the **world coordinates (2.5,3)** as the center point for the first circle. *Specify center point for circle or [3P/2P/Ttr (tan tan radius)]:* **2.5,3 [ENTER]**
4. In the command prompt area, the message “*Specify diameter of circle:*” is displayed. *Specify diameter of circle:* **2.5 [ENTER]**
5. Inside the graphics window, right-mouse-click to bring up the popup option menu.
6. Pick **Repeat CIRCLE** with the left-mouse button in the popup menu to repeat the last command.
7. Using the *relative rectangular coordinates entry method*, relative to the center-point coordinates of the first circle, we specify the location as **(2.5,2)**. *Specify center point for circle or [3P/2P/Ttr (tan tan radius)]:* **@2.5,2 [ENTER]**
8. In the command prompt area, the message “*Specify Radius of circle: <2.50>*” is displayed. The default option for the Circle command in AutoCAD is to specify the *radius* and the last radius used is also displayed in brackets.
9. Inside the graphics window, **right-mouse-click** to bring up the popup option menu and select **Diameter** as shown.
10. In the command prompt area, enter **1.5** as the diameter. *Specify Diameter of circle<2.50>:* **1.5 [ENTER]**

Saving the CAD Design

1. In the *Application Menu*, select:
[Application] □ [Save]



Note the command can also be activated with the quick-key combination of [Ctrl]+[S].

2. In the *Save Drawing As* dialog box, select the folder in which you want to store the CAD file and enter **GuidePlate** in the *File name* box.

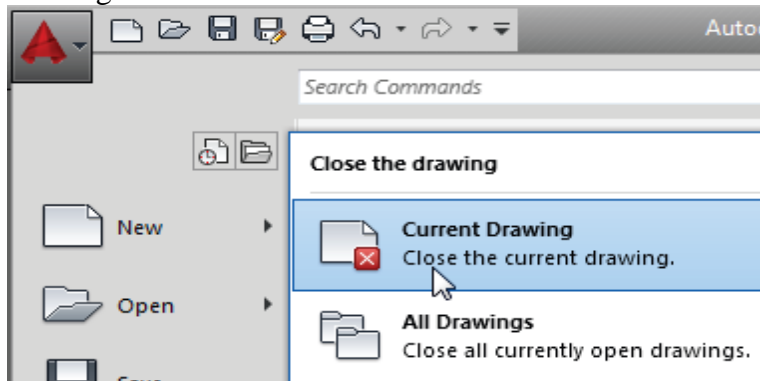
3. Click **Save** in the *Save Drawing As* dialog box to accept the selections and save the file. Note the default file type is DWG, which is the standard AutoCAD drawing format.

Close the Current Drawing

Several options are available to close the current drawing:
Select [**Close**] [**Current Drawing**] in the *Application Menu Bar* as shown.

Enter **Close** at the command prompt.

The third option is to click on the [**Close**] icon located at the upper-right-hand corner of the drawing window.



AutoCAD Command Shortcuts

- Q QSAVE / Saves the current drawing.
- A ARC / Creates an arc.
- Z ZOOM / Increases or decreases the magnification of the view in the current viewport.
- W WBLOCK / Writes objects or a block to a new drawing file.
- S STRETCH / Stretches objects crossed by a selection window or polygon.
- X EXPLODE / Breaks a compound object into its component objects.
- E ERASE / Removes objects from a drawing.
- D DIMSTYLE / Creates and modifies dimension styles.
- C CIRCLE / Creates a circle.
- R REDRAW / Refreshes the display in the current viewport.
- F FILLET / Rounds and fillets the edges of objects.
- V VIEW / Saves and restores named views, camera views, layout views, and preset views.

- T MTEXT / Creates a multiline text object.
- G GROUP / Creates and manages saved sets of objects called groups.
- B BLOCK / Creates a block definition from selected objects.
- H HATCH / Fills an enclosed area or selected objects with a hatch pattern, solid fill, or gradient fill.
- J JOIN / Joins similar objects to form a single, unbroken object.
- M MOVE / Moves objects a specified distance in a specified direction.
- I INSERT / Inserts a block or drawing into the current drawing.
- O OFFSET / Creates concentric circles, parallel lines, and parallel curves.
- L LINE / Creates straight line segments.
- P PAN / Adds a parameter with grips to a dynamic block definition.

Toggle General Features

- Ctrl+d Toggle coordinate display
- Ctrl+g Toggle Grid
- Ctrl+e Cycle isometric planes
- Ctrl+f Toggle running object snaps
- Ctrl+h Toggle Pick Style
- Ctrl+Shift+h Toggle Hide pallets
- Ctrl+i Toggle Coords
- Ctrl+Shift+I Toggle Infer Constraints

Manage Screen

- Ctrl+0 (zero) Clean Screen
- Ctrl+1 Property Palette
- Ctrl+2 Design Center Palette
- Ctrl+3 Tool Palette
- Ctrl+4 Sheet Set Palette
- Ctrl+6 DBConnect Manager
- Ctrl+7 Markup Set Manager Palette
- Ctrl+8 Quick Calc
- Ctrl+9 Command Line

Toggle Drawing Modes

- F1 Display Help
- F2 Toggle text screen
- F3 Toggle object snap mode
- F4 Toggle 3DOsnap
- F5 Toggle Isoplane
- F6 Toggle Dynamic UCS
- F7 Toggle grid mode
- F8 Toggle ortho mode
- F9 Toggle snap mode
- F10 Toggle polar mode
- F11 Toggle object snap tracking
- F12 Toggle dynamic input mode

Manage Workflow

- Ctrl+c Copy object
- Ctrl+x Cut object
- Ctrl+v Paste object
- Ctrl+Shift+c Copy to clipboard with base point
- Ctrl+Shift+v Paste data as block
- Ctrl+z Undo last action
- Ctrl+y Redo last action
- Ctrl+[Cancel current command (or ctrl+\)

- ESC Cancel current command

Manage Drawings

- Ctrl+n New Drawing
- Ctrl+s Save drawing
- Ctrl+o Open drawing
- Ctrl+p Plot dialog box
- Ctrl+Tab Switch to next

Ctrl+Shift+Tab Switch to previous drawing

Ctrl+Page Up Switch to previous tab in current drawing

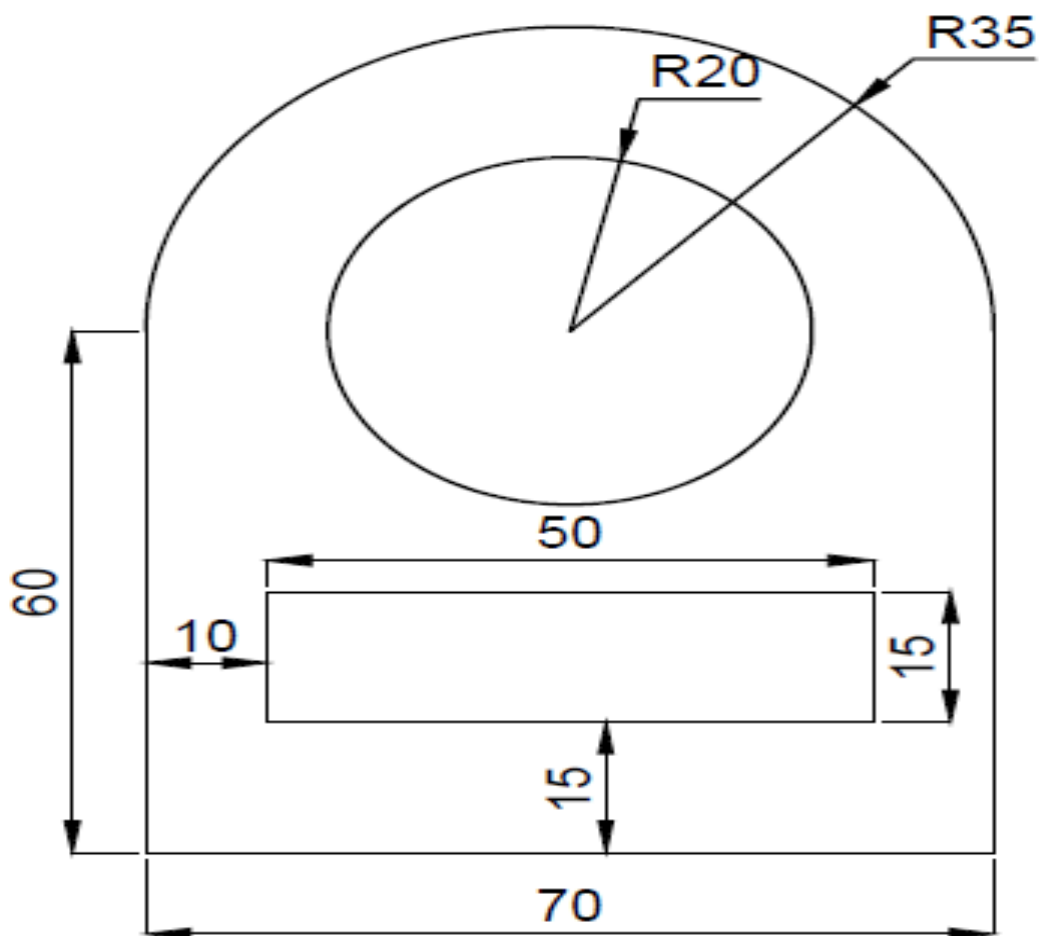
Ctrl+Page Down Switch to next tab in current drawing

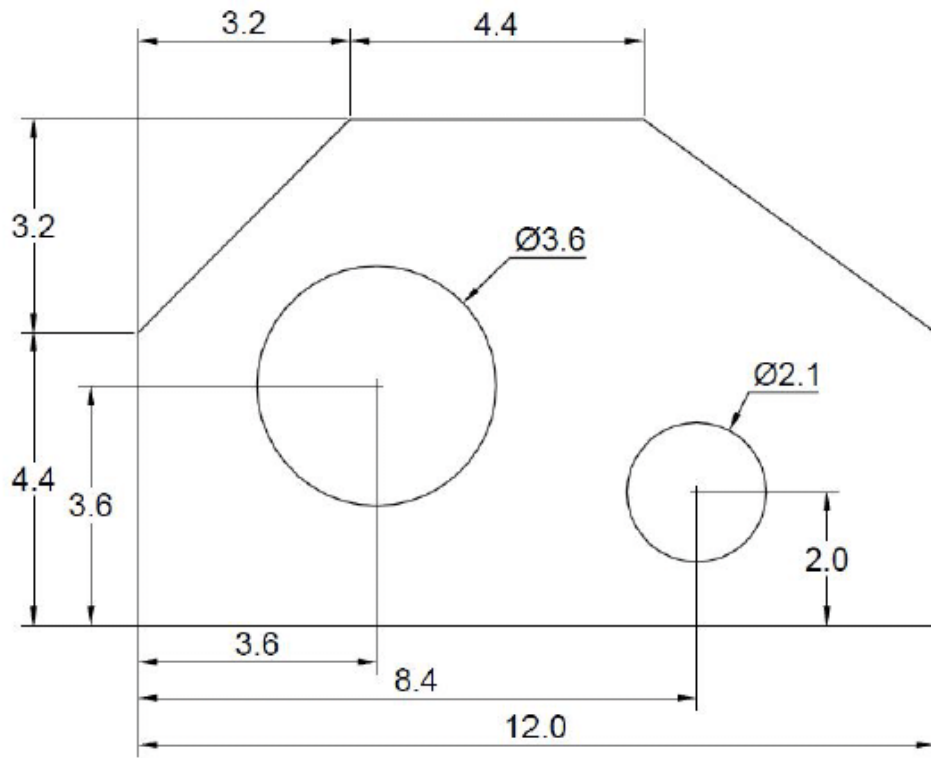
Ctrl+q Exit

Ctrl+a Select all objects

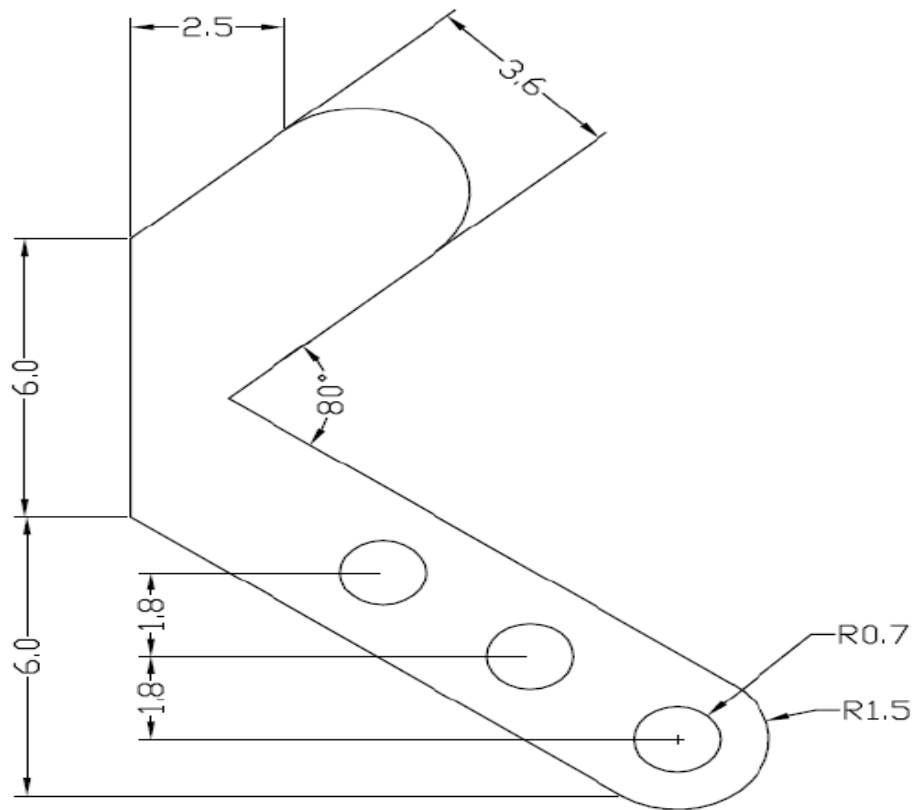
Exercises: (All dimensions are in inch/mm)

Practice 1

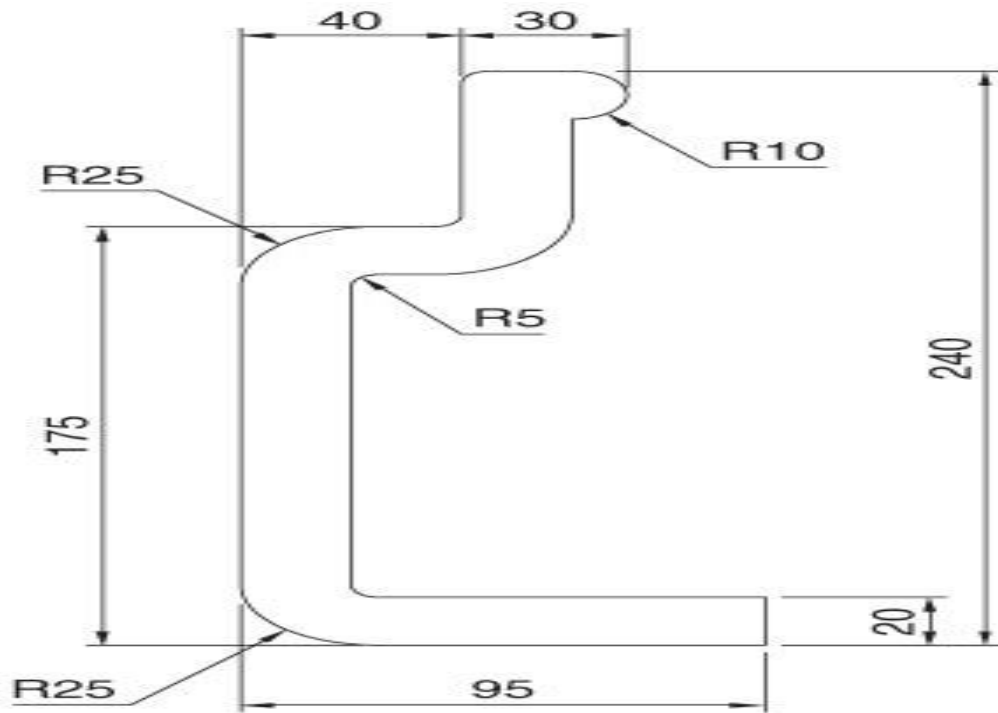




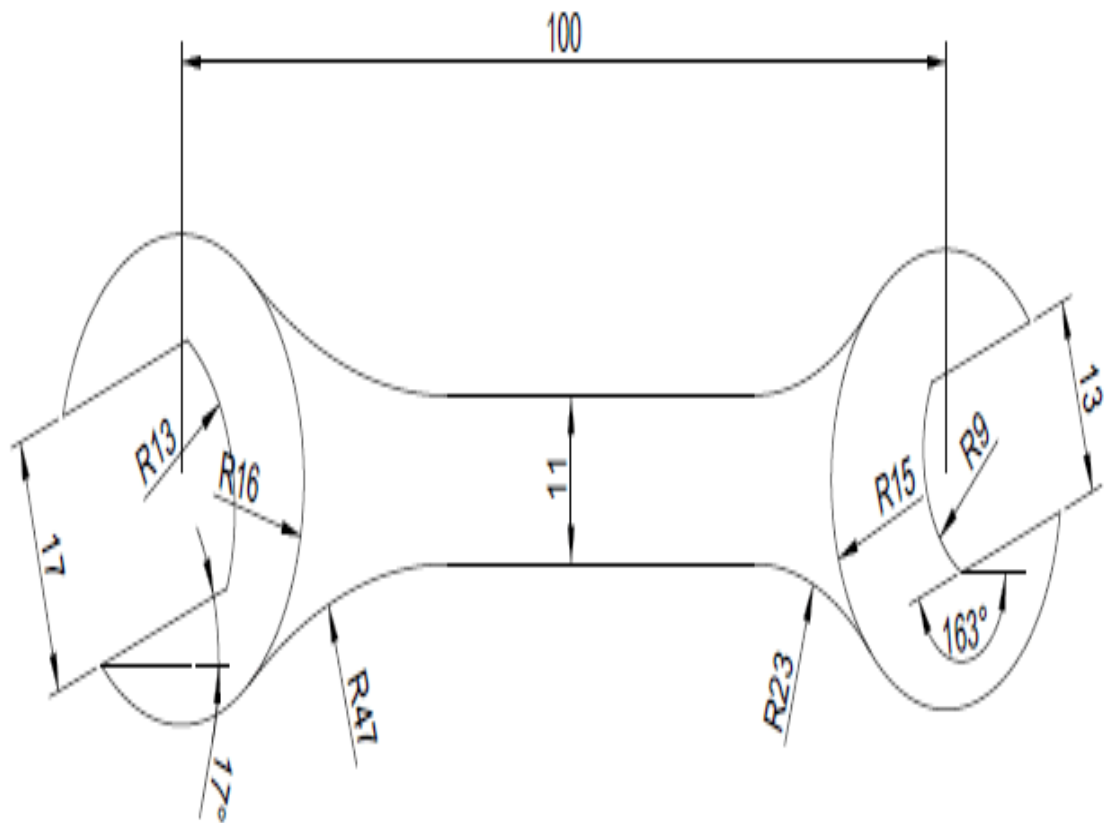
Practice 2



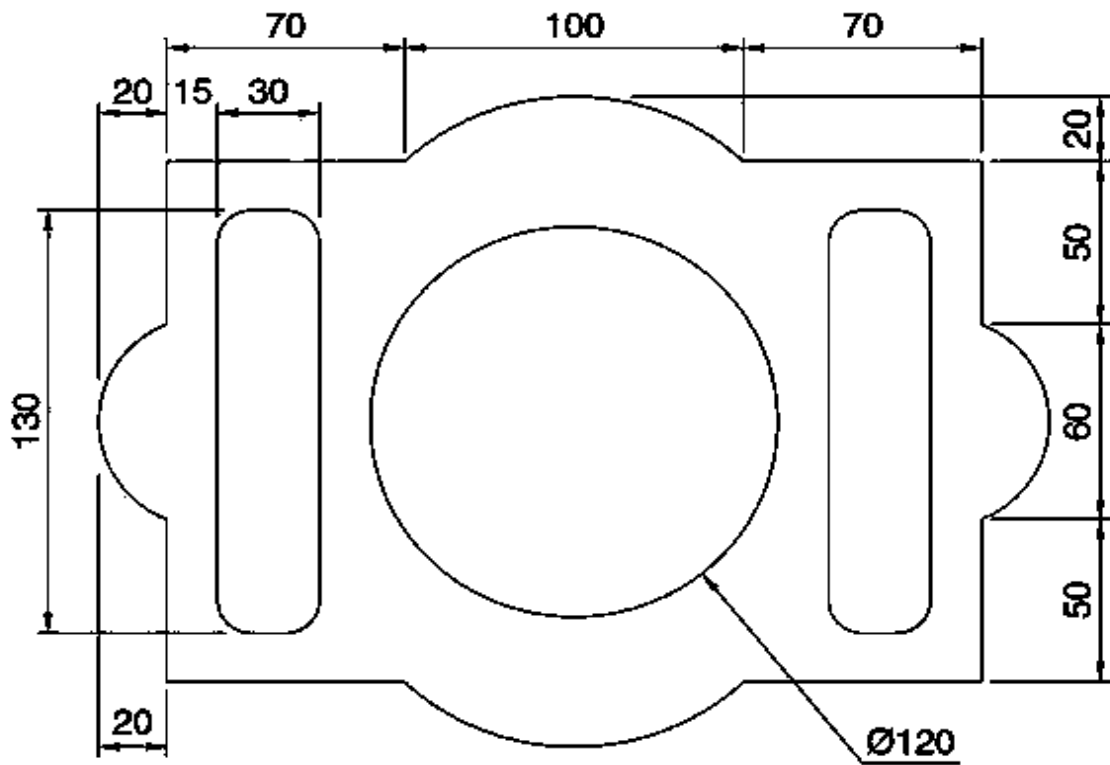
Practice 3



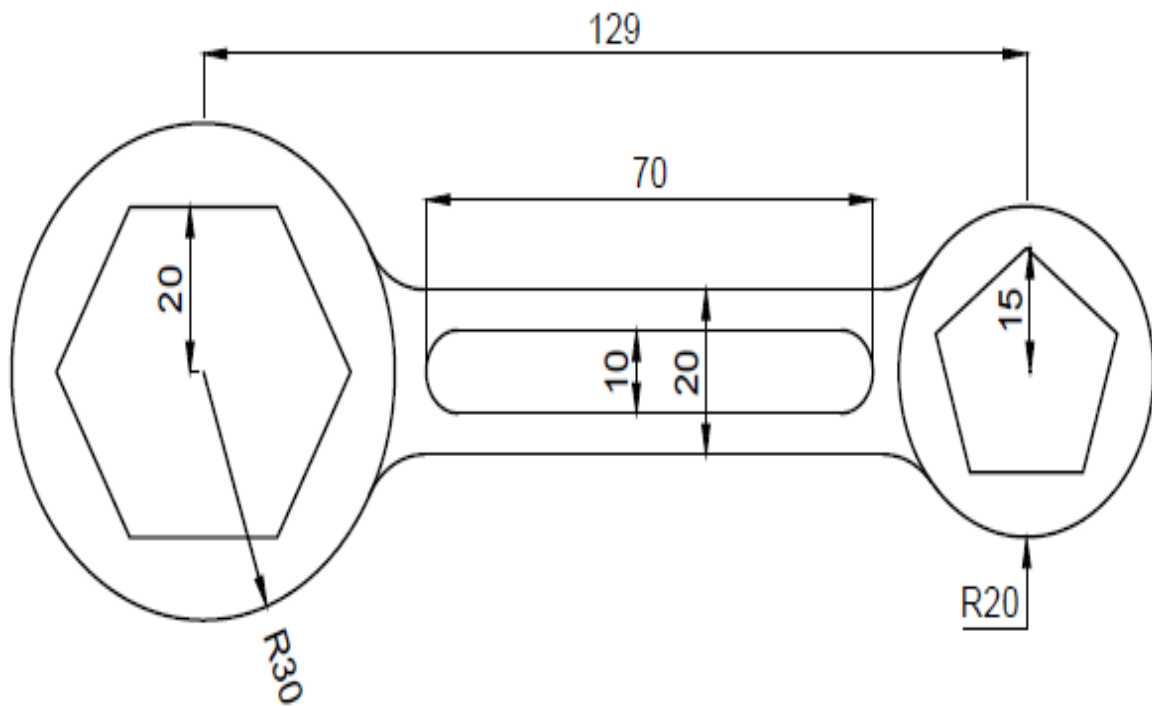
Practice 4



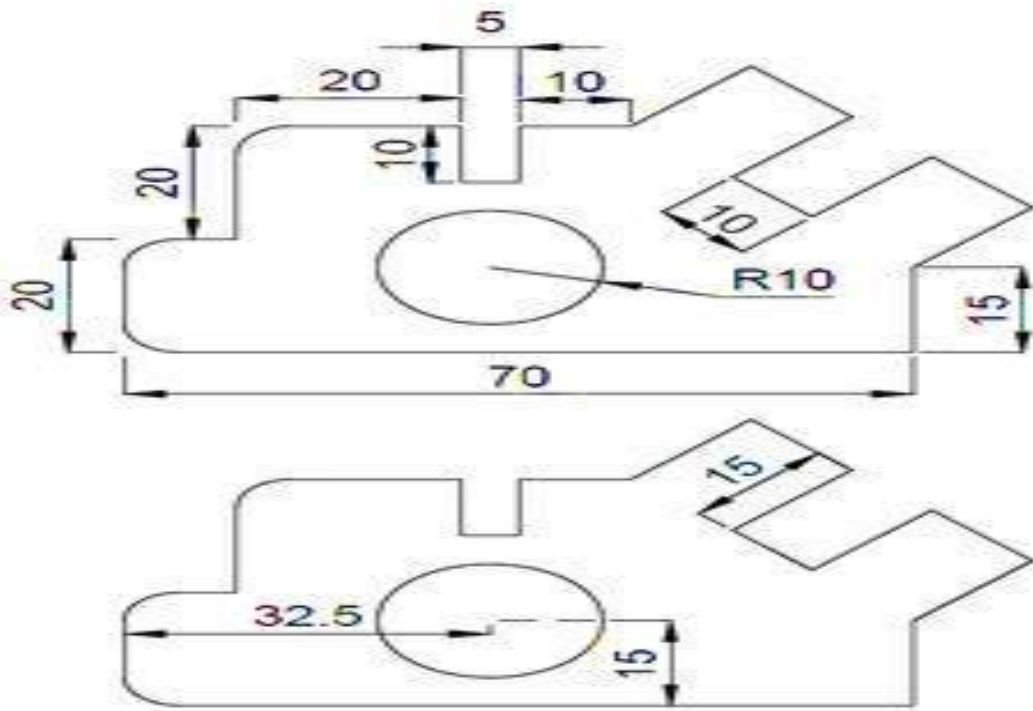
Practice 5



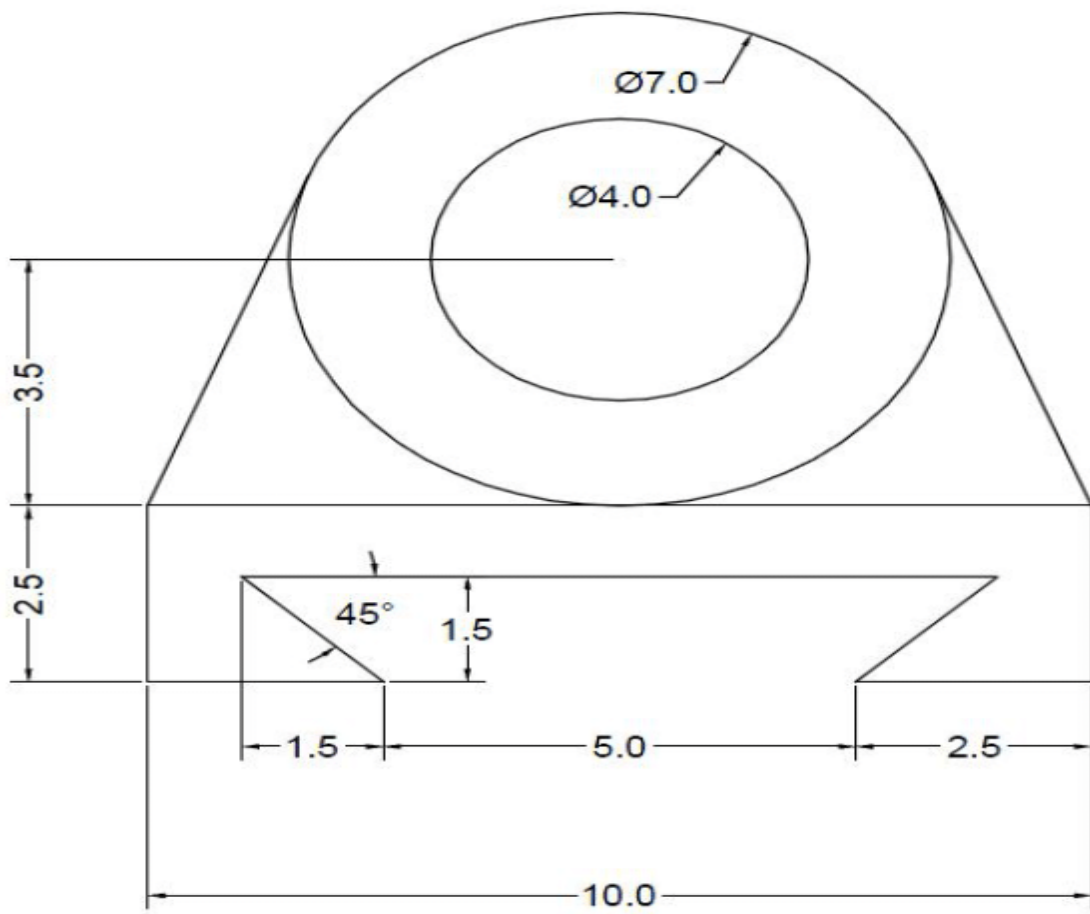
Practice 6



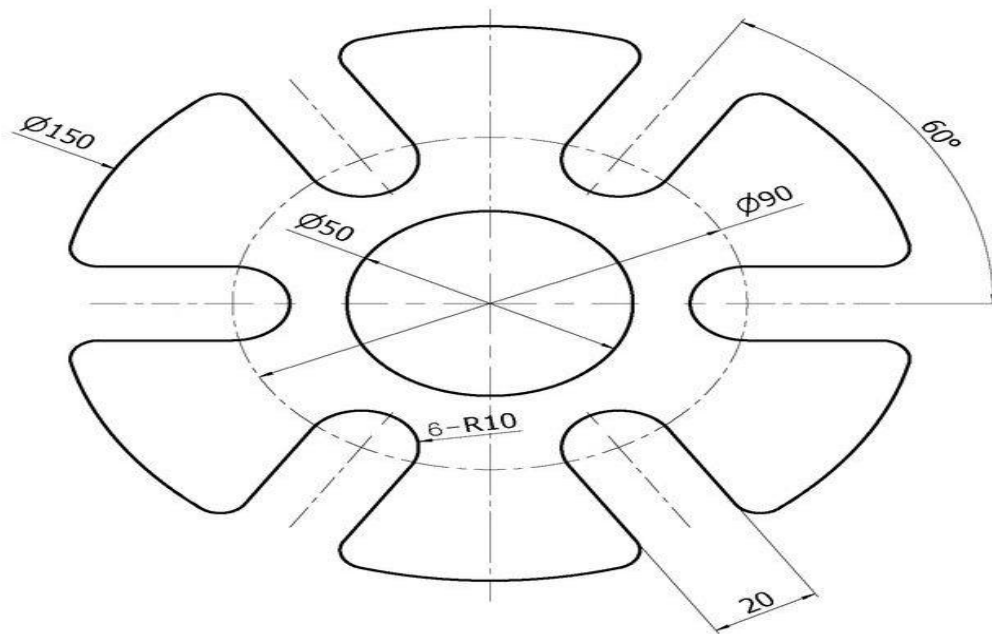
Practice 7



Practice 8



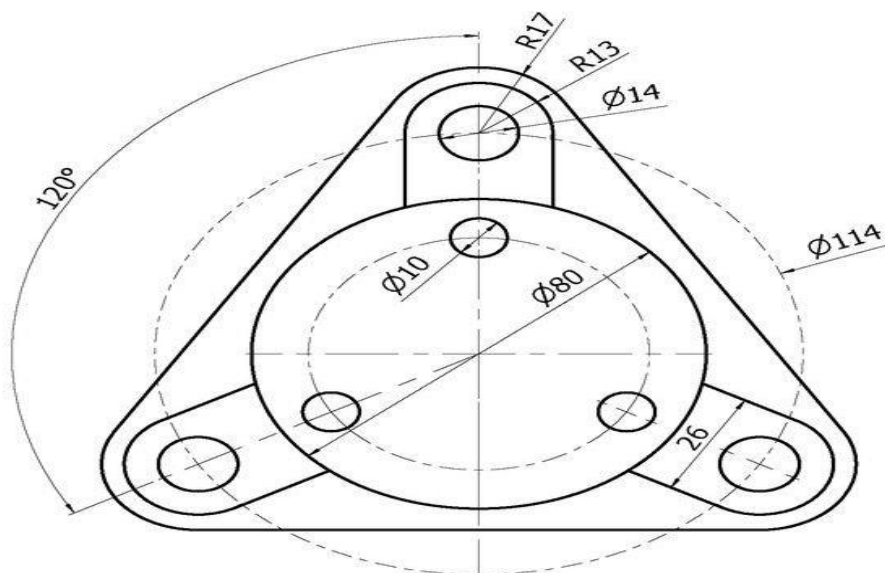
Practice 9



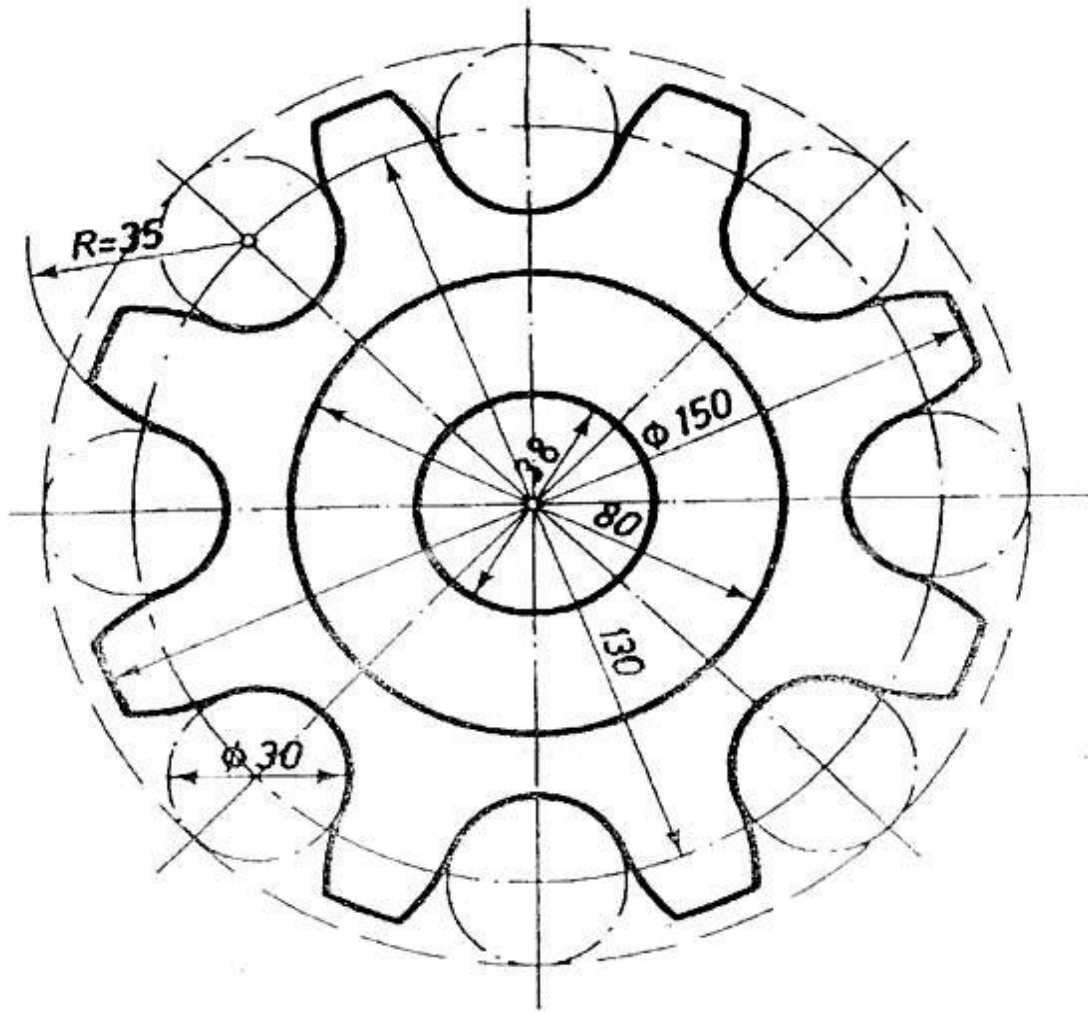
주 서

1. 지시없는 라운드는 R5

Practice 10



Practice 11



Practice 12